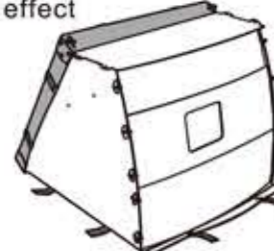


Assembling instructions

Best reflection light shooting



Mid angle shooting to get 3D dimension effect



High angle shooting to get bird-eye view effect

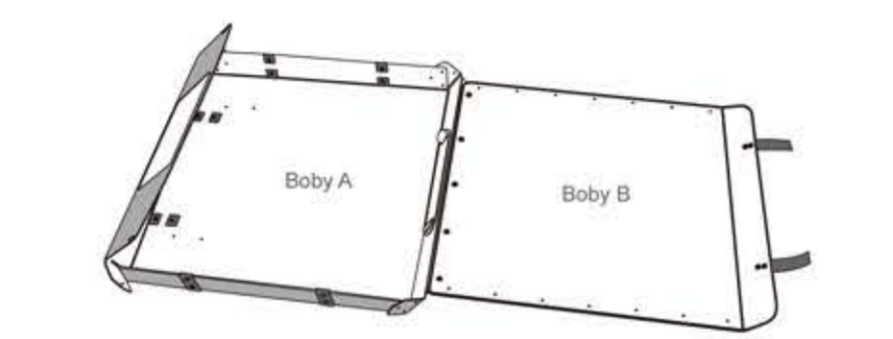
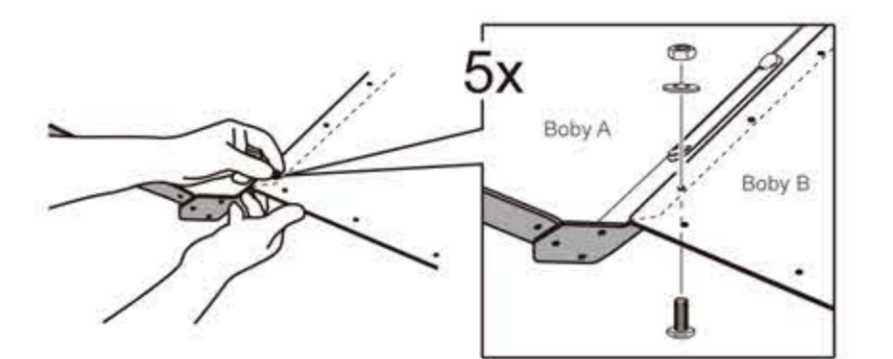
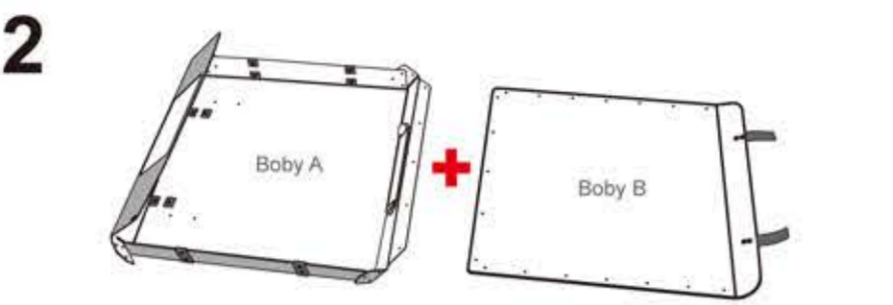
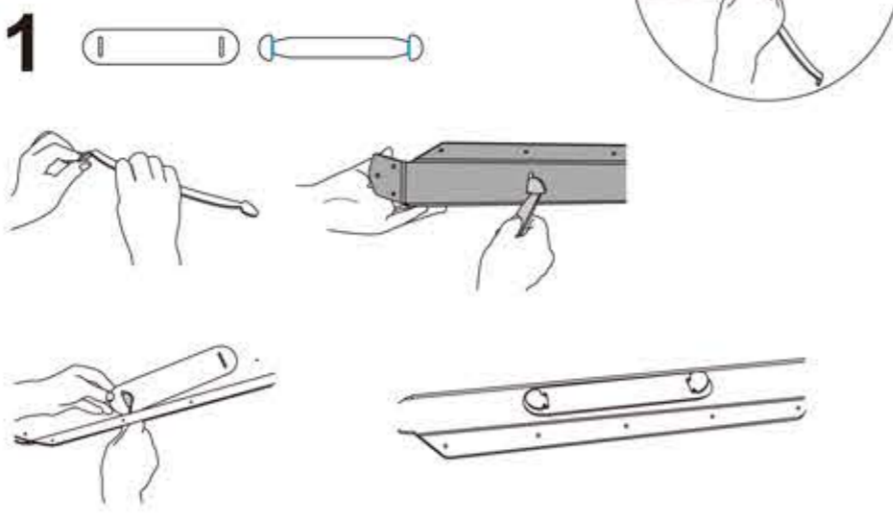
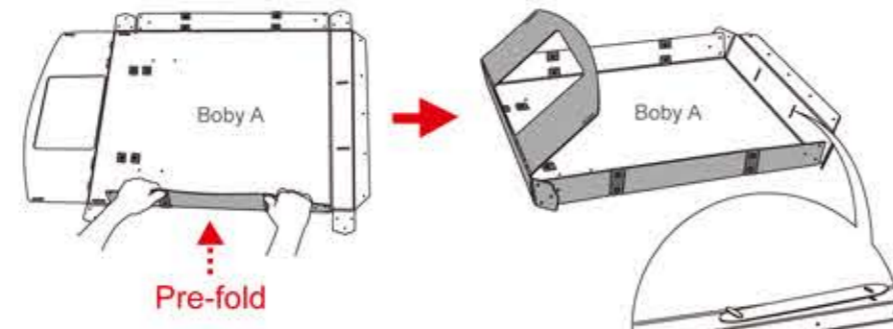


Low angle shooting Soften Shadow Shooting

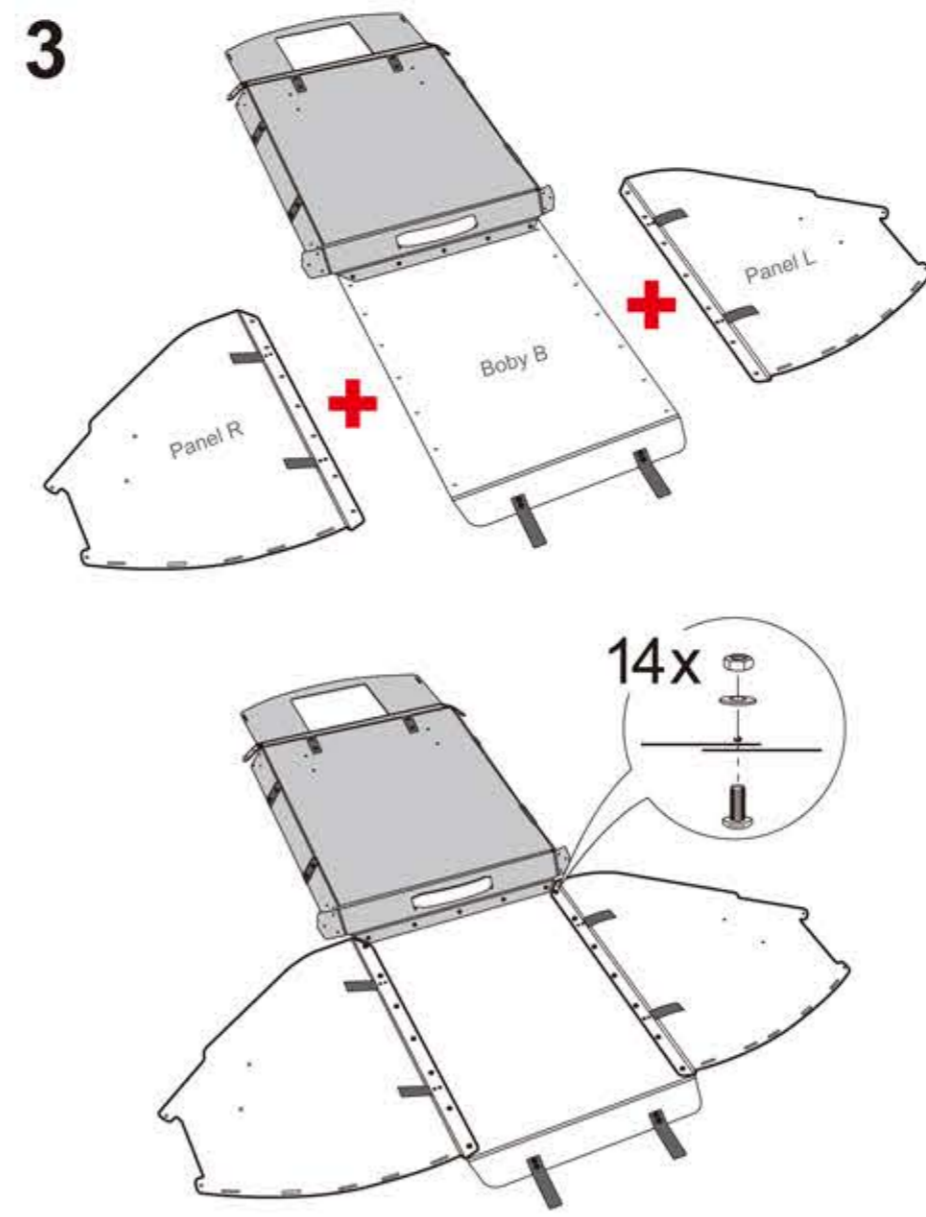


High angle shooting

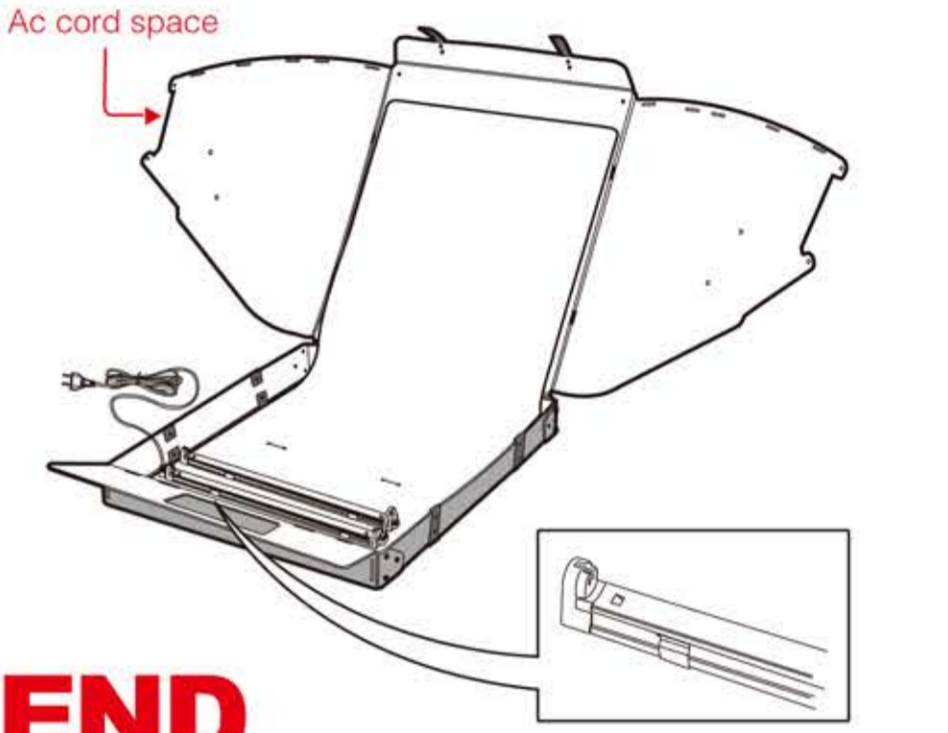
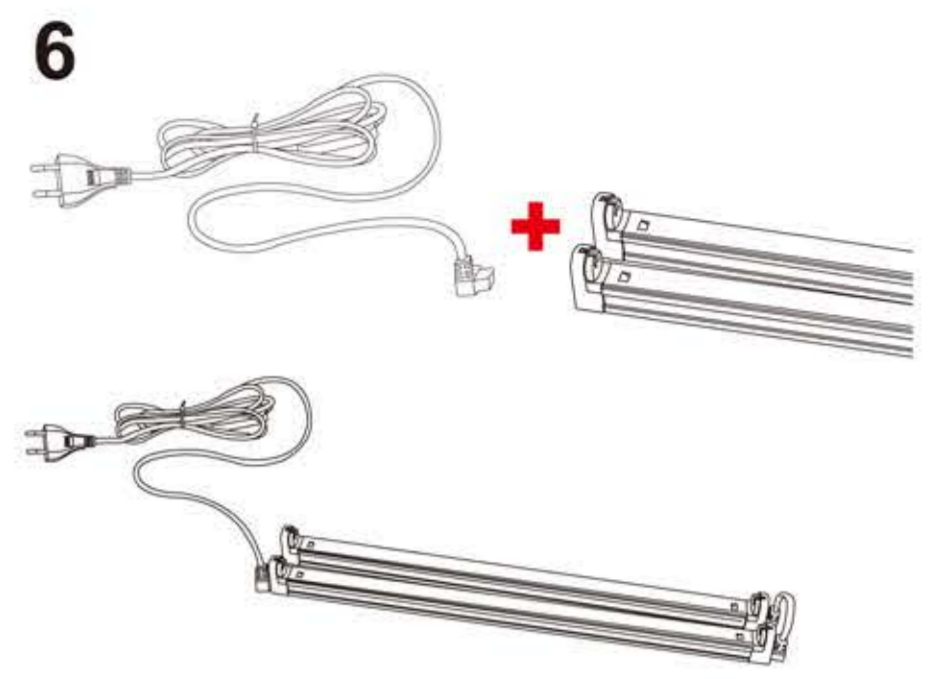
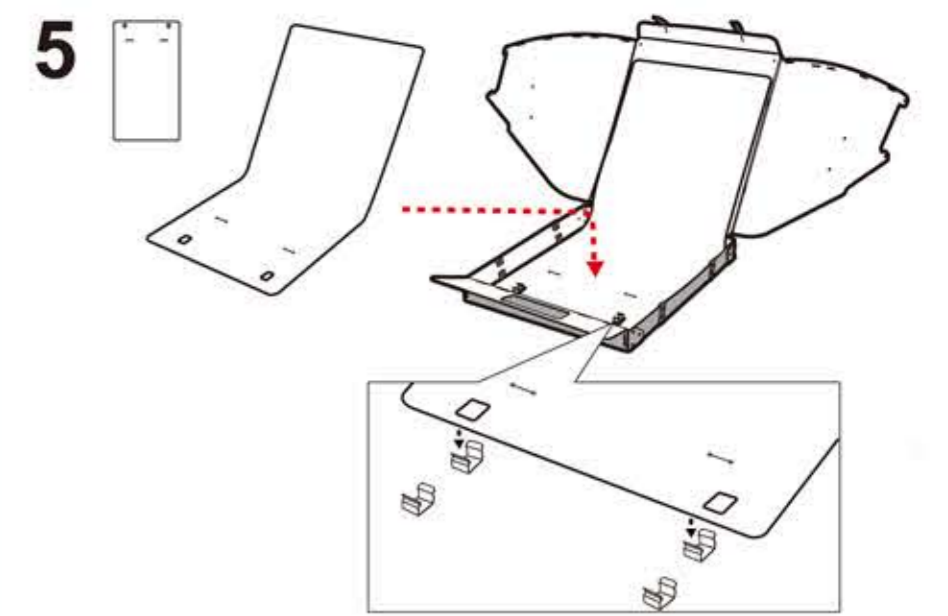
★ Blue line = Pre-fold
藍線部分請按圖示預折，方便組裝。



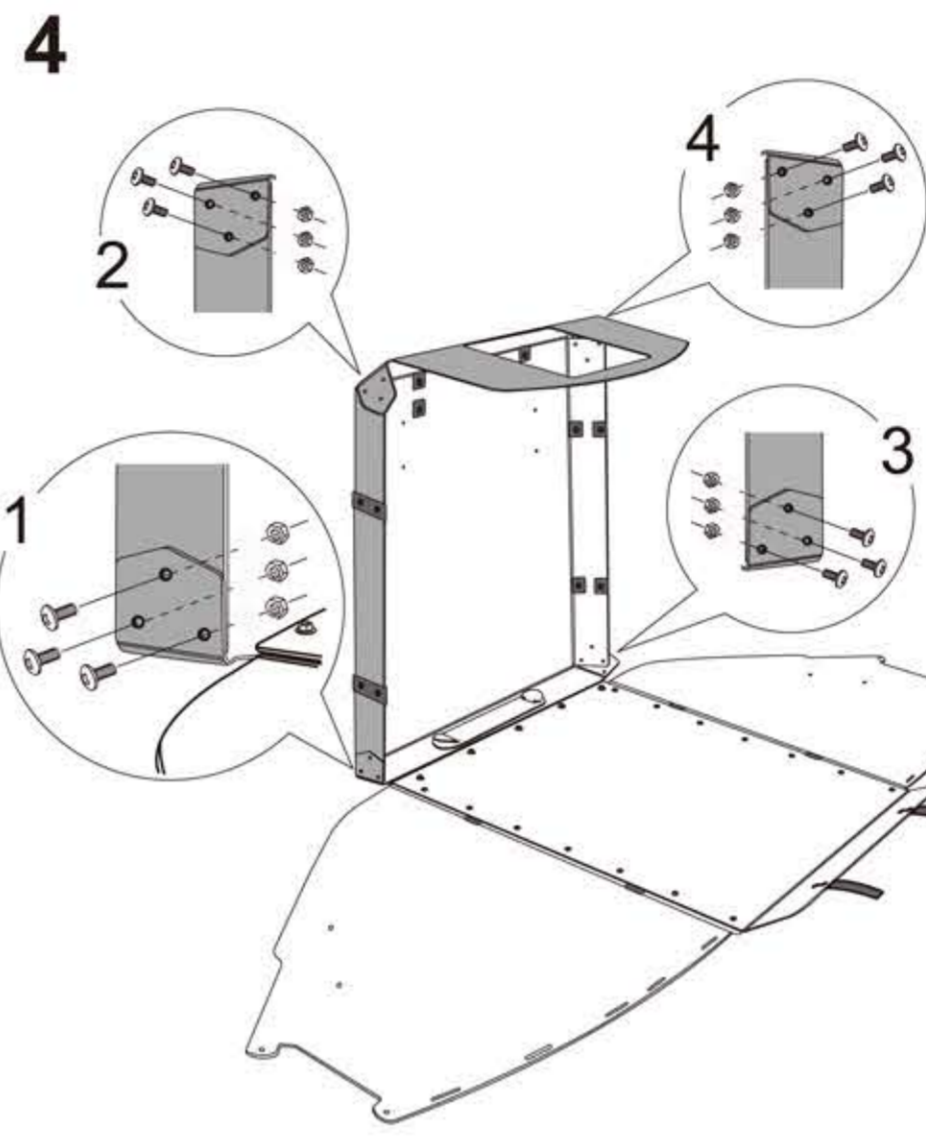
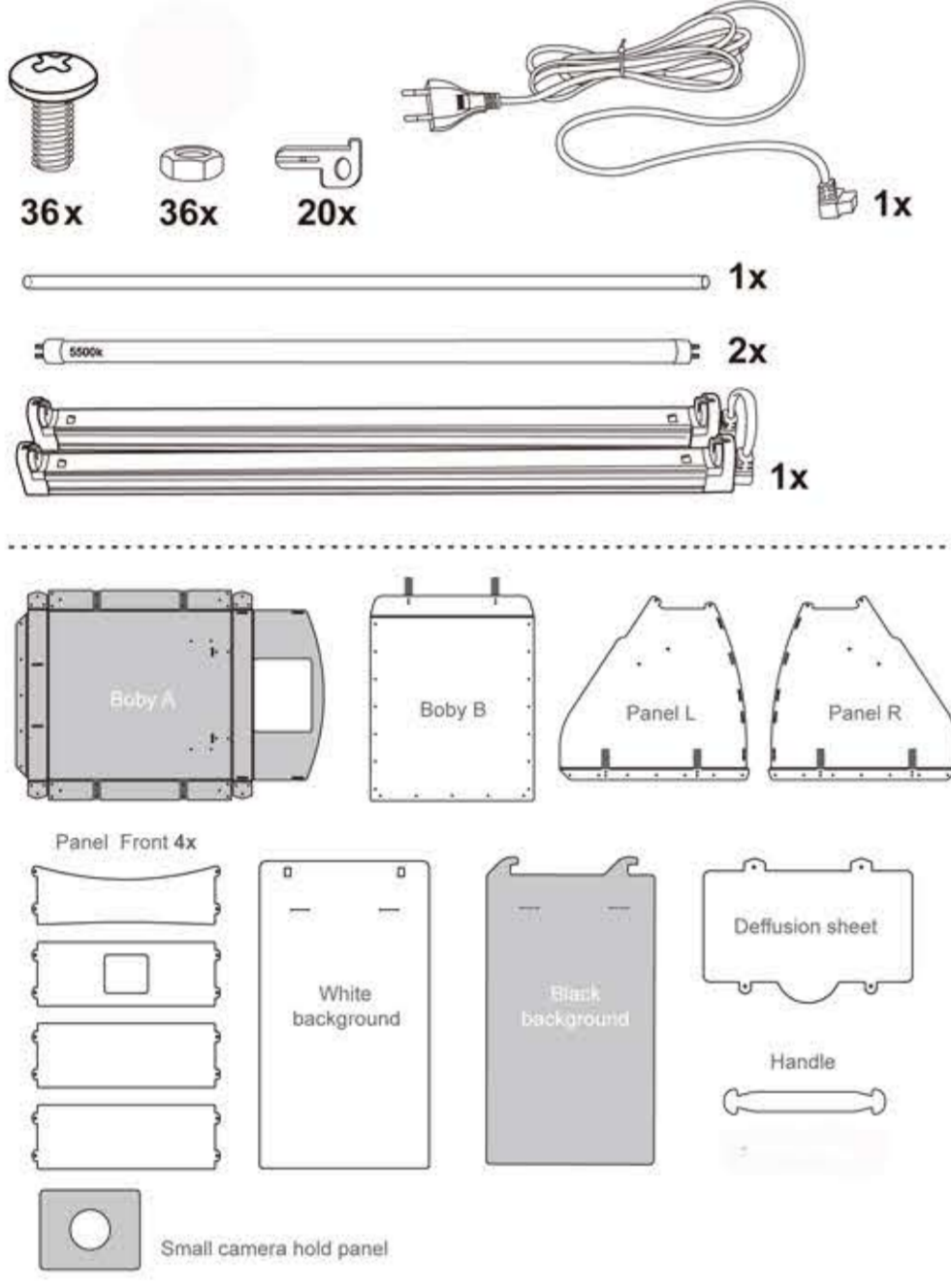
Part 1
Finished



Part 2
Finished



END



Part 3
Finished

